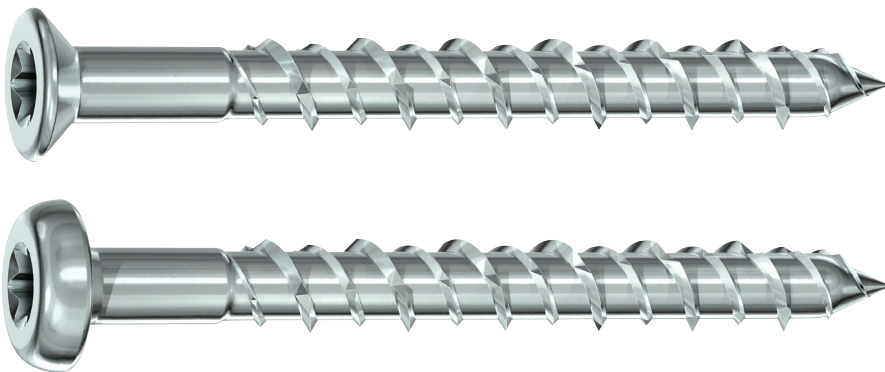


TECHNICAL INFORMATION FOR THE

---

**TIMco**  
**Multi-Fix<sup>®</sup>**  
**Masonry Screws**

---



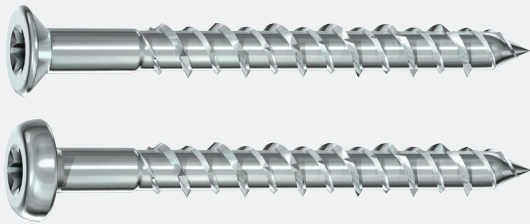
TECHNICAL DATA SHEET



# Multi-Fix MASONRY SCREWS

## COUNTERSUNK & PAN HEAD

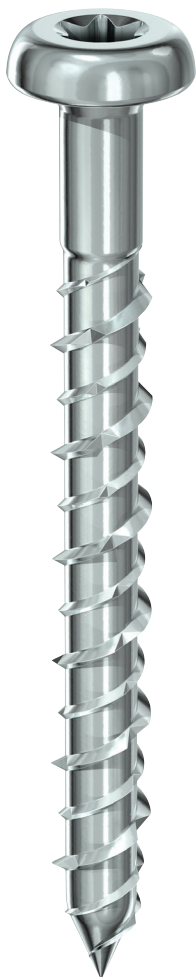
ZINC



- A rapid and effective light duty anchoring system for fixing into concrete and brick.
- One piece through fixing.
- Smaller hole diameter required, compared to other traditional light duty fixings
- All metal, non-flammable fixing.
- Non-expansion.
- Choice of Countersunk or Pan head types to suit multiple applications.



### FEATURES



- Serrated V-threads to achieve optimum insertion into all masonry types
- Suitable for concrete and brick.
- Zinc plated for increased corrosion resistance.

### COUNTERSUNK RANGE

ZINC

Product Code	Size Ø x L (mm)	Max. Fixture Thickness (mm)	Fixture Clearance Hole Ø (mm)	Box Qty	Carton Qty
640MFCSK	6 x 40	15	6.5	100	1,000
660MFCSK	6 x 60	35	6.5	100	1,000
680MFCSK	6 x 80	55	6.5	100	800
6100MFCSK	6 x 100	63	6.5	100	800

### PAN HEAD RANGE

ZINC

Product Code	Size Ø x L (mm)	Max. Fixture Thickness (mm)	Fixture Clearance Hole Ø (mm)	Box Qty	Carton Qty
640MFPAN	6 x 40	15	6.5	100	64,800
660MFPAN	6 x 60	35	6.5	100	43,200
680MFPAN	6 x 80	55	6.5	100	43,200
6100MFPAN	6 x 100	63	6.5	100	36,000

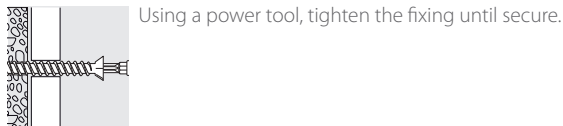
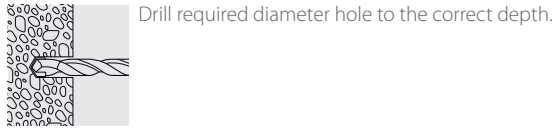


**TECHNICAL DATA**



Substrate	Concrete ≥25N/mm <sup>2</sup>	
	40-80	100
Length (mm)	40-80	100
Rec. Tensile Load (kN) <b>N<sub>rec</sub></b>	1.0	1.5
Max Rec. Load (kg)	100	150
Rec. Shear Load (kN) <b>V<sub>rec</sub></b>	2.4	2.4

**INSTALLATION GUIDELINES**

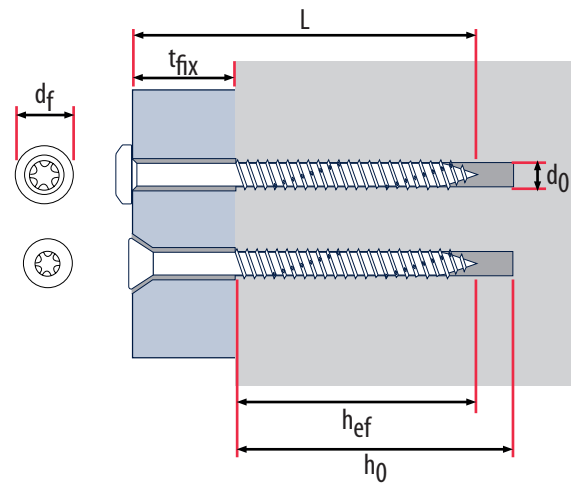


**INSTALLATION DATA - COUNTERSUNK**

Product Code	Size Ø x Length L (mm)	Head Diameter d <sub>f</sub> (mm)	Drill Hole d <sub>0</sub> (mm)	Min. Drill Depth h <sub>0</sub> (mm)	Max. Fixture Thickness t <sub>fix</sub> (mm)	Min. Embedment Depth h <sub>ef</sub> (mm)
640MFCSK	6 x 40	9.50	5.0	35	15	25
660MFCSK	6 x 60	9.50	5.0	35	35	25
680MFCSK	6 x 80	9.50	5.0	47	55	25
6100MFCSK	6 x 100	9.50	5.0	47	63	37

**INSTALLATION DATA - PAN HEAD**

Substrate	Size Ø x Length L (mm)	Head Diameter d <sub>f</sub> (mm)	Drill Hole d <sub>0</sub> (mm)	Min. Drill Depth h <sub>0</sub> (mm)	Max. Fixture Thickness t <sub>fix</sub> (mm)	Min. Embedment Depth h <sub>ef</sub> (mm)
640MFPAN	6 x 40	10.50	5.0	35	15	25
660MFPAN	6 x 60	10.50	5.0	35	35	25
680MFPAN	6 x 80	10.50	5.0	47	55	25
6100MFPAN	6 x 100	10.50	5.0	47	63	37



L	Length
d <sub>f</sub>	Head Diameter
d <sub>0</sub>	Drill Hole

h <sub>0</sub>	Minimum Drill Hole Depth
t <sub>fix</sub>	Maximum Fixture thickness
h <sub>ef</sub>	Minimum Embedment Depth